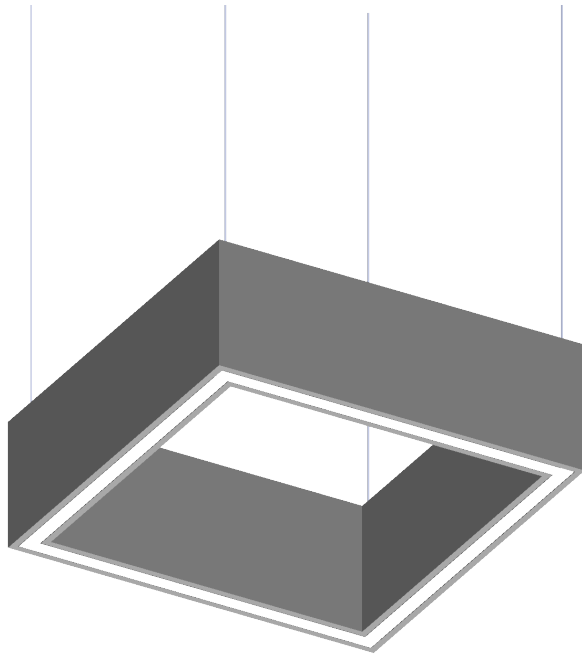


DIRECT/INDIRECT



OVERVIEW

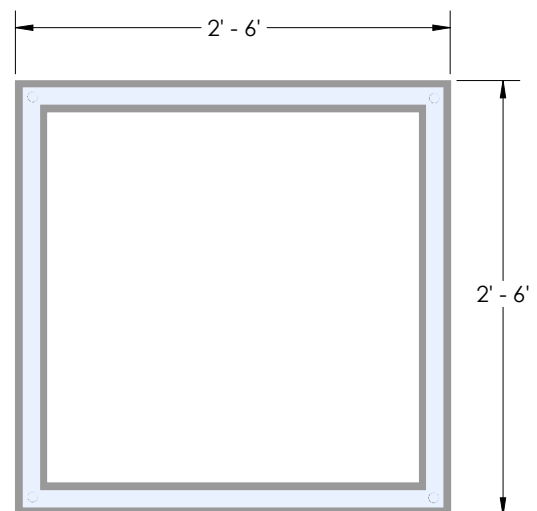
AIREBAFFLE™ FRAME (DIRECT/ INDIRECT)

The AireBaffle™ Frame (Direct/Indirect) provides a decorative, acoustic, down or up/down lighting fixture using Airelight™ Linear luminaires. Absorbing sound & emitting light, the AireBaffle™ Frame is the perfect combination of design and functionality. These suspended acoustic baffles come in a variety of configurations and finishes.

FEATURES

- Sound absorbing, light emitting, geometric shaped baffle
- Integrated Airelight™ LED ceramic lighting
- Noise Reduction Coefficient (NRC) of 1.0
- Configurations: Geometric shapes (2' - 6' sides)
- Eco-friendly acoustic material available in a variety of colors
- Use as a stand-alone pendant or grouping, or pair with other AireBaffle™ acoustic options

DIMENSIONS



AIREBAFFLE™ FRAME (AIRELIGHT™ ACOUSTIC SERIES)



AIREBAFFLE™ FRAME (AIRELIGHT™ ACOUSTIC SERIES)

DIRECT/INDIRECT

LIGHT SPECIFICATIONS

PERFORMANCE

Light Fixture	Airelight™ Linear ES 1.0		
Directional Lighting	Direct / Indirect		
Beam Angle	Lambertian (DIRECT) / Batwing (INDIRECT)		
Lens Aperture	1" Wide (DIRECT) / 0.5" (INDIRECT)		
Controls	0-10VDC / Wireless		
Rating	Suitable for Dry Locations		
		<u>Linear ES 1.0 (DIRECT)</u>	<u>Linear ES 0.5 (INDIRECT)</u>
		Lumens Per Foot	755 @ 3500K / 456 @ 3500K
		Efficacy (lms/W)	125 @ 3500K / 115 @ 3500K
		Power Consumption	6W / linear foot / 4W/ linear foot
		CRI	80+ / 80+

MATERIAL SPECIFICATIONS

Product Name	AireBaffle™ Frame (Direct)
Material	100% PET (~60% recycled content)
Mounting Hardware	Griplock® Powered Suspension System / Aircraft Cable
Warranty	5 year limited warranty
Size Range	Length(2' - 6') x Width(2' - 6') x Height(8, 12, 16") <small>*Custom sizes available upon request*</small>
Environmental	Low-VOC material, meeting requirements for LEED and other green building certifications
Fire Rating	ASTME E-84 Class C (available with Class A treatment)
Acoustics	Calculated Acoustical Performance: NRC 1.0

COLOR OPTIONS

105 W HEATHER	175 C HEATHER	345 DENIM	620 YELLOW	720 BLUSH
135 G HEATHER	190 BLACK	420 LIMON	630 ORANGE	735 FUSCHIA
155 S HEATHER	335 BLUE	430 LIME	645 RED	755 VIOLET

877.298.0092



goldeneyelighting.com

V1.1

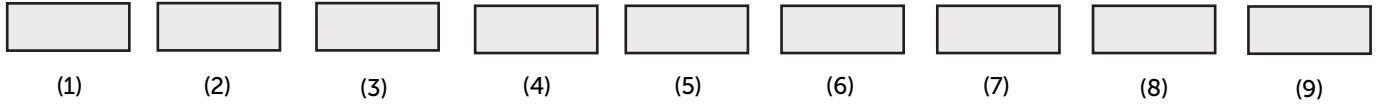
AIREBAFFLE™ FRAME (AIRELIGHT™ ACOUSTIC SERIES)



AIREBAFFLE™ FRAME (AIRELIGHT™ ACOUSTIC SERIES)

DIRECT/INDIRECT

ORDERING



- | | | | | | | | | | | | | | | | |
|------------------------|---|---------------|-----------|----------|--------|------------|----------|------------|----------|------------|-----------|--|------------|--|------------|
| (1) BAFFLE TYPE | FD - FRAME (Direct)
FI - FRAME (Indirect)
FDI - FRAME (Both) | | | | | | | | | | | | | | |
| (2) LIGHT FIXTURE | 1 - 1.0 ES (1.0" Width) | | | | | | | | | | | | | | |
| (3) LENGTH | 2 - 2'
4 - 4'
6 - 6' | | | | | | | | | | | | | | |
| (4) WIDTH | 2 - 2'
4 - 4'
6 - 6' | | | | | | | | | | | | | | |
| (5) HEIGHT | 8 - 8"
12 - 12"
16 - 16" | | | | | | | | | | | | | | |
| (6) COLOR TEMP | 27 or 27-90 - 2700K 80CRI or 90CRI
30 or 30-90 - 3000K 80CRI or 90CRI
35 - 3500K 80CRI
40 - 4000K 80CRI | | | | | | | | | | | | | | |
| (7) SUSPENSION SYSTEM | PS - POWER SUSPENSION
AC - AIRCRAFT CABLE | | | | | | | | | | | | | | |
| (8) SUSPENSION LENGTH | <table border="0"> <tr> <td><u>PS</u></td> <td><u>AC</u></td> </tr> <tr> <td>48 - 48"</td> <td>24-24"</td> </tr> <tr> <td>120 - 120"</td> <td>48 - 48"</td> </tr> <tr> <td>180 - 180"</td> <td>96 - 96"</td> </tr> <tr> <td>240 - 240"</td> <td>120- 120"</td> </tr> <tr> <td></td> <td>150 - 150"</td> </tr> <tr> <td></td> <td>180 - 180"</td> </tr> </table> | <u>PS</u> | <u>AC</u> | 48 - 48" | 24-24" | 120 - 120" | 48 - 48" | 180 - 180" | 96 - 96" | 240 - 240" | 120- 120" | | 150 - 150" | | 180 - 180" |
| <u>PS</u> | <u>AC</u> | | | | | | | | | | | | | | |
| 48 - 48" | 24-24" | | | | | | | | | | | | | | |
| 120 - 120" | 48 - 48" | | | | | | | | | | | | | | |
| 180 - 180" | 96 - 96" | | | | | | | | | | | | | | |
| 240 - 240" | 120- 120" | | | | | | | | | | | | | | |
| | 150 - 150" | | | | | | | | | | | | | | |
| | 180 - 180" | | | | | | | | | | | | | | |
| (9) BAFFLE COLOR | | | | | | | | | | | | | | | |
| 105 - WHITE HEATHER | 335 - BLUE | 630 - ORANGE | | | | | | | | | | | | | |
| 135 - GREY HEATHER | 345 - DENIM | 645 - RED | | | | | | | | | | | | | |
| 155 - STEEL HEATHER | 420 - LIMON | 720 - BLUSH | | | | | | | | | | | | | |
| 175 - CHARCOAL HEATHER | 430 - LIME | 735 - FUSCHIA | | | | | | | | | | | | | |
| 190 - BLACK | 620 - YELLOW | 755 - VIOLET | | | | | | | | | | | | | |

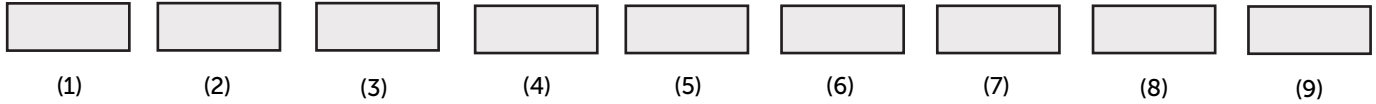
AIREBAFFLE™ FRAME (AIRELIGHT™ ACOUSTIC SERIES)



AIREBAFFLE™ FRAME (AIRELIGHT™ ACOUSTIC SERIES)

DIRECT/INDIRECT

ORDERING



- | | | | | | | | | | | | | | | | |
|------------------------|---|---------------|-----------|----------|--------|------------|----------|------------|----------|------------|-----------|--|------------|--|------------|
| (1) BAFFLE TYPE | FD - FRAME (Direct)
FI - FRAME (Indirect)
FDI - FRAME (Both) | | | | | | | | | | | | | | |
| (2) LIGHT FIXTURE | 1 - 1.0 ES (1.0" Width) | | | | | | | | | | | | | | |
| (3) LENGTH | 2 - 2'
4 - 4'
6 - 6' | | | | | | | | | | | | | | |
| (4) WIDTH | 2 - 2'
4 - 4'
6 - 6' | | | | | | | | | | | | | | |
| (5) HEIGHT | 8 - 8"
12 - 12"
16 - 16" | | | | | | | | | | | | | | |
| (6) COLOR TEMP | 27 or 27-90 - 2700K 80CRI or 90CRI
30 or 30-90 - 3000K 80CRI or 90CRI
35 - 3500K 80CRI
40 - 4000K 80CRI | | | | | | | | | | | | | | |
| (7) SUSPENSION SYSTEM | PS - POWER SUSPENSION
AC - AIRCRAFT CABLE | | | | | | | | | | | | | | |
| (8) SUSPENSION LENGTH | <table border="0"> <tr> <td><u>PS</u></td> <td><u>AC</u></td> </tr> <tr> <td>48 - 48"</td> <td>24-24"</td> </tr> <tr> <td>120 - 120"</td> <td>48 - 48"</td> </tr> <tr> <td>180 - 180"</td> <td>96 - 96"</td> </tr> <tr> <td>240 - 240"</td> <td>120- 120"</td> </tr> <tr> <td></td> <td>150 - 150"</td> </tr> <tr> <td></td> <td>180 - 180"</td> </tr> </table> | <u>PS</u> | <u>AC</u> | 48 - 48" | 24-24" | 120 - 120" | 48 - 48" | 180 - 180" | 96 - 96" | 240 - 240" | 120- 120" | | 150 - 150" | | 180 - 180" |
| <u>PS</u> | <u>AC</u> | | | | | | | | | | | | | | |
| 48 - 48" | 24-24" | | | | | | | | | | | | | | |
| 120 - 120" | 48 - 48" | | | | | | | | | | | | | | |
| 180 - 180" | 96 - 96" | | | | | | | | | | | | | | |
| 240 - 240" | 120- 120" | | | | | | | | | | | | | | |
| | 150 - 150" | | | | | | | | | | | | | | |
| | 180 - 180" | | | | | | | | | | | | | | |
| (9) BAFFLE COLOR | | | | | | | | | | | | | | | |
| 105 - WHITE HEATHER | 335 - BLUE | 630 - ORANGE | | | | | | | | | | | | | |
| 135 - GREY HEATHER | 345 - DENIM | 645 - RED | | | | | | | | | | | | | |
| 155 - STEEL HEATHER | 420 - LIMON | 720 - BLUSH | | | | | | | | | | | | | |
| 175 - CHARCOAL HEATHER | 430 - LIME | 735 - FUSCHIA | | | | | | | | | | | | | |
| 190 - BLACK | 620 - YELLOW | 755 - VIOLET | | | | | | | | | | | | | |