

INSTALLATION: AIRELIGHT™ LINEAR ES 1.0 MILLWORK



Objective

Embed an Airelight™ Linear ES 1.0 into a wood surface.

Luminaires

Airelight™ Linear ES 1.0
(18 AWG Paired Conductor Wire Not Included)

Hardware

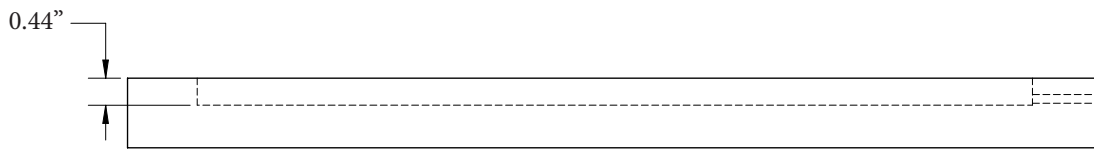
1) Mounting plates
(P/N# 67667(4))
2) 6-32 wood screws(4)

Tools

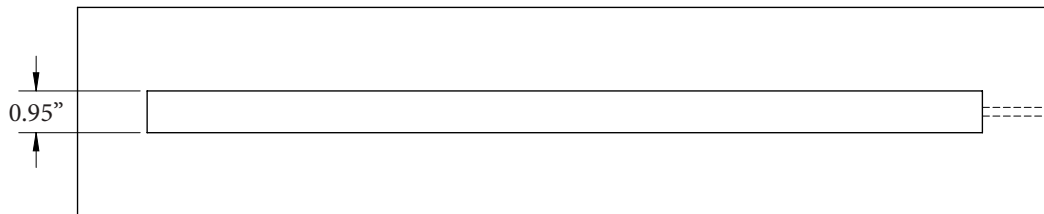
1) Router
2) Chisel
3) Drill



Side View

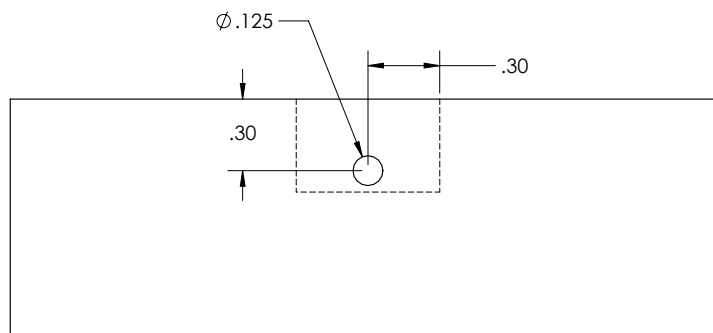


Top View

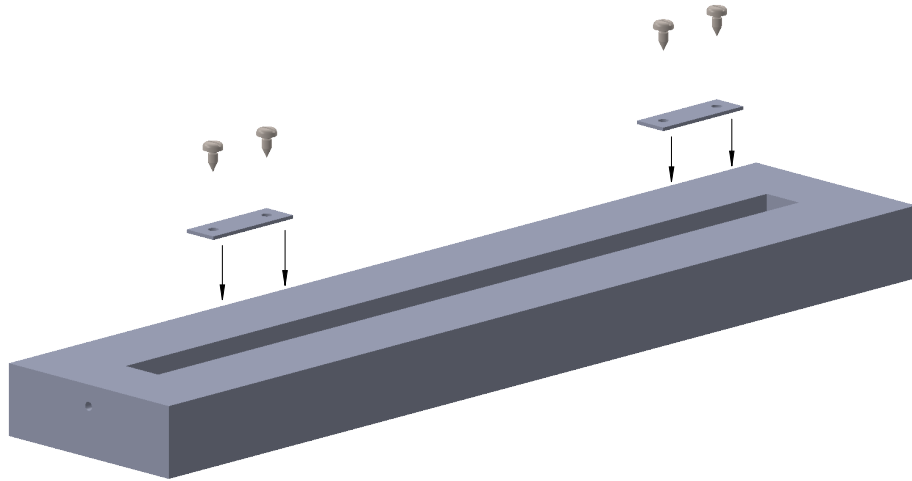


- 1) Cut channel with router into desired wood surface. W: 0.95" , D: 0.44" , L: Total Run Length
Use a chisel to square out the 4 corners of the channel.

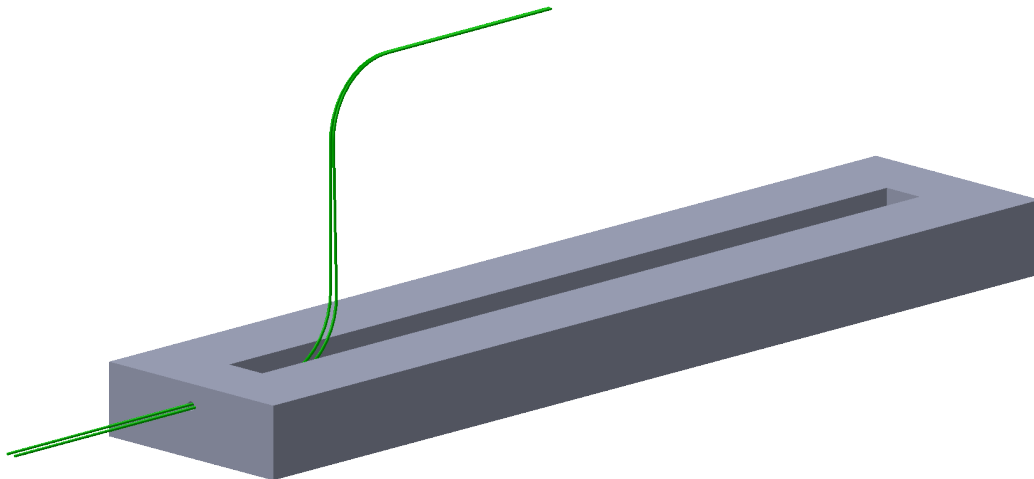
End View



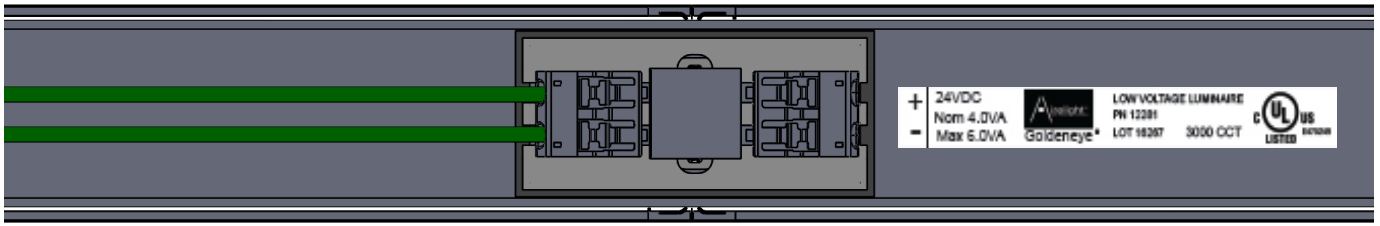
- 2) Determine which end of the wood that your wiring will enter/exit. Drill 1/8" hole in that end of the material, centered and approximately 0.3" from the surface of the channel (see above diagram). Alternatively, a hole can be drilled in the backside of the wood. In this case, drill a 1/8" hole at desired location along the centerline of the wood so that the wire can be fed directly out the center of the routed channel.



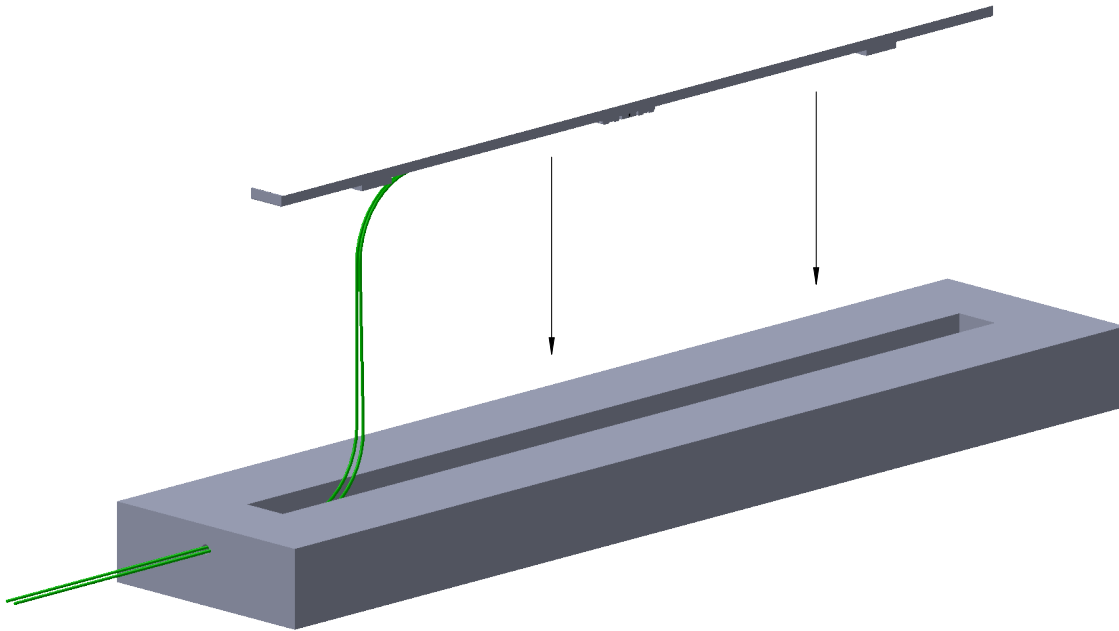
3) Remove tape liner on mounting plates. Align plates with center of magnets of the Airelight Linear to be installed. Press firmly on each mounting plate for 10 seconds. Wood screws are included and optional as needed.



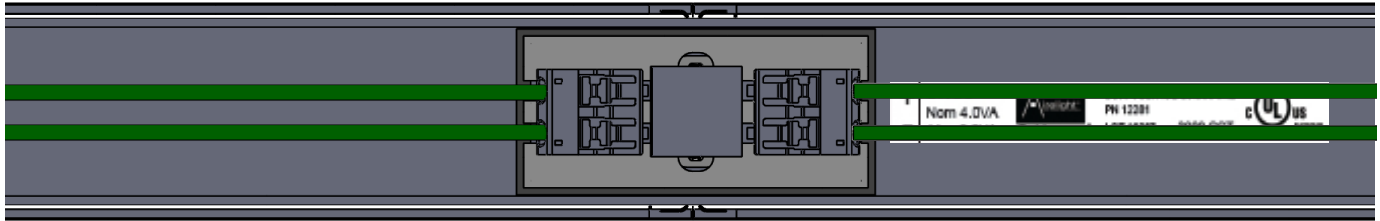
4) Feed paired conductor wire thru access hole into the channel.



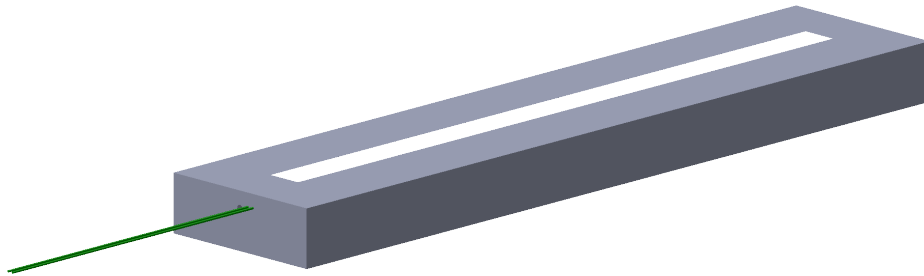
5) Install 18awg paired conductor wire into the connector on back of Airelight™ Linear noting polarity on product label adjacent to connector.



6) Place Airelight™ Linear into channel by aligning magnets on back of source with mounting plates in channel.



7) Repeat Steps 3-6 as needed to complete entire length of run. Daisy-chain each Airelight™ Linear until the run is complete or the maximum wattage on the DC power supply is reached.



8) Place the daisy-chained Airelight™ Linears into channel or onto desired mounting surface, guiding the wiring behind the luminaire along the edge of the channel, allowing the magnets to attach to mounting surface.

9) Make connection from the first Airelight™ Linear in the daisy chain to DC Power Supply using preferred mating connector. Secure wiring as needed. Test the electrical connection by applying power to the driver.