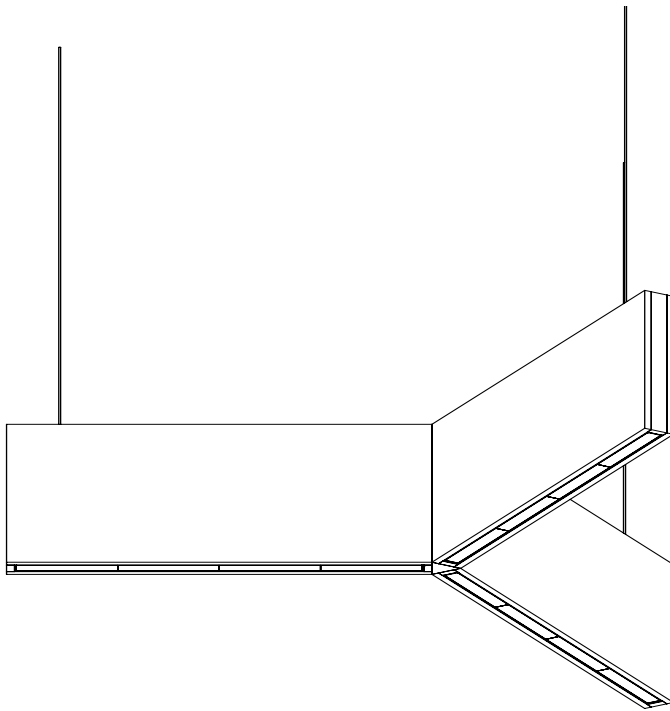


DIRECT



OVERVIEW

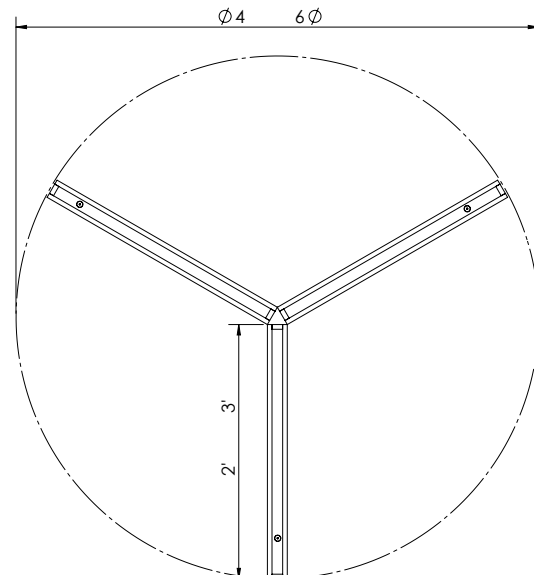
AIREBAFFLE™ TRIAD (DIRECT)

The AireBaffle™ Triad (Direct) provides a decorative, acoustic, down lighting fixture using Airelight™ Linear2 luminaires. Absorbing sound & emitting light, the AireBaffle™ TRIAD is the perfect combination of design and functionality. These suspended acoustic baffles come in different sizes and finishes.

FEATURES

- Sound absorbing, light emitting, “Y” shaped baffle
- Integrated Airelight™ LED ceramic lighting
- Noise Reduction Coefficient (NRC) of 1.0
- Configurations: 4’, 6’ Diameters
- Eco-friendly acoustic material available in a variety of colors
- Use as a stand-alone pendant or grouping, or pair with other AireBaffle™ acoustic options

DIMENSIONS



# AIREBAFFLE™ TRIAD 1.0 (AIRELIGHT™ ACOUSTIC SERIES)



AIREBAFFLE™ TRIAD 1.0 (AIRELIGHT™ ACOUSTIC SERIES)

## DIRECT

### LIGHT SPECIFICATIONS

Light Fixture	Airelight™ Linear2 ES 1.0
Beam Angle	Lambertian
Lens Aperature	1" Wide
Directional Lighting	Direct
Controls	0-10VDC / Wireless
Rating	Suitable for Dry Locations

### PERFORMANCE

Direct Lumens (4'Ø), (6'Ø)	3840, 5760 @ 3500K
Direct Efficacy (lms/W)	89 @ 3500K
Power Consumption	43W (4'Ø) ; 65W (6'Ø)
CRI	90+

### MATERIAL SPECIFICATIONS

Product Name	AireBaffle™ Triad 1.0 (Direct)
Material	100% PET (~60% recycled content)
Mounting Hardware	Griplock® Powered Suspension System / Aircraft Cable
Warranty	5 year limited warranty
Size Range	Diameter(4', 6') x Height(8, 12, 16") *Custom sizes available upon request*
Environmental	Low-VOC material, meeting requirements for LEED and other green building certifications
Fire Rating	ASTME E-84 Class C (available with Class A treatment)
Acoustics	Calculated Acoustical Performance: NRC 1.0

### COLOR OPTIONS

116B MARBLE HEATHER	121B ZINC	125B GRANITE HEATHER	137B CRETE HEATHER	143B SLATE HEATHER	146B MED GRAY HEATHER	152B ARCHAIC	175B CHARCOAL HEATHER	190B PURE BLACK
221B FLAX	231B CAMEL	281B JAVA	321B SKY	370B DEEP BLUE	380B ABYSS	431B LIME	455B MOSS	476B EMERALD
621B SUNFLOWER	620B YELLOW	631B TANGERINE	651B RED	655B BRICK	810B NATURAL EUCALYPTUS	W820B GREYBARK	830B MED EUCALYPTUS	W880B DARK MERBAU

877.298.0092



goldeneyelighting.com

V1.9

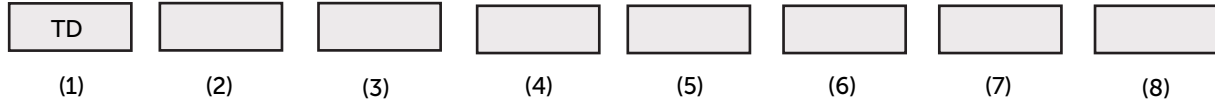
# AIREBAFFLE™ TRIAD 1.0 (AIRELIGHT™ ACOUSTIC SERIES)



AIREBAFFLE™ TRIAD 1.0 (AIRELIGHT™ ACOUSTIC SERIES)

## DIRECT

### ORDERING



(1) BAFFLE TYPE                      TD - TRIAD (Direct)

(2) LIGHT FIXTURE                    1 - 1.0 ES (1.0" Width)

(3) DIAMETER                         4 - 4'  
6 - 6'

(4) HEIGHT                            8 - 8"  
12 - 12"  
16 - 16"

(5) COLOR TEMP                      27 - 2700K 90CRI  
30 - 3000K 90CRI  
35 - 3500K 90CRI  
40 - 4000K 90CRI

(6) SUSPENSION SYSTEM            PS - POWER SUSPENSION  
AC - AIRCRAFT CABLE

(7) SUSPENSION LENGTH	<u>PS</u>	<u>AC</u>
	48 - 48"	24-24"
	120 - 120"	48 - 48"
	180 - 180"	96 - 96"
	240 - 240"	120- 120"
		150 - 150"
		180 - 180"

(8) BAFFLE COLOR

- |                        |                        |                 |                           |
|------------------------|------------------------|-----------------|---------------------------|
| 116 - MARBLE HEATHER   | 175 - CHARCOAL HEATHER | 380 - ABYSS     | 651 - RED                 |
| 121 - ZINC             | 190 - PURE BLACK       | 431 - LIME      | 655 - BRICK               |
| 125 - GRANITE HEATHER  | 221 - FLAX             | 455 - MOSS      | W810 - NATURAL EUCALYPTUS |
| 137 - CRETE HEATHER    | 231 - CAMEL            | 476 - EMERALD   | W820 - GREYBARK           |
| 143 - SLATE HEATHER    | 281 - JAVA             | 620 - YELLOW    | W830 - MED EUCALYPTUS     |
| 146 - MED GREY HEATHER | 321 - SKY              | 621 - SUNFLOWER | W880 - DARK MERBAU        |
| 152 - ARCHAIC          | 370 - DEEP BLUE        | 631 - TANGERINE |                           |