

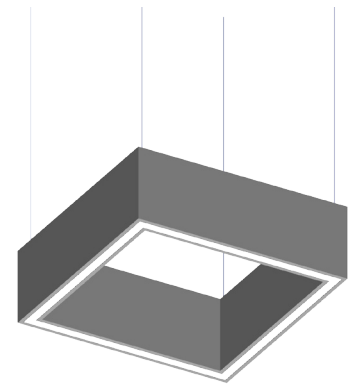
ASSEMBLY: AIREBAFFLE™ FRAME (AIRELIGHT™ ACOUSTIC SERIES)



ASSEMBLY: AIREBAFFLE™ FRAME (AIRELIGHT™ ACOUSTIC SERIES)

PART LIST

DESCRIPTION	QTY
Airebaffle™ (48" x12")	4
L brackets (Top)	4 (Labeled TOP)
L bracket (Bottom)	4 (Labeled BTM)
1/4" threaded rod (14")	8
#14 screw (3")	8
Griplock Hanging Hardware Kit	2

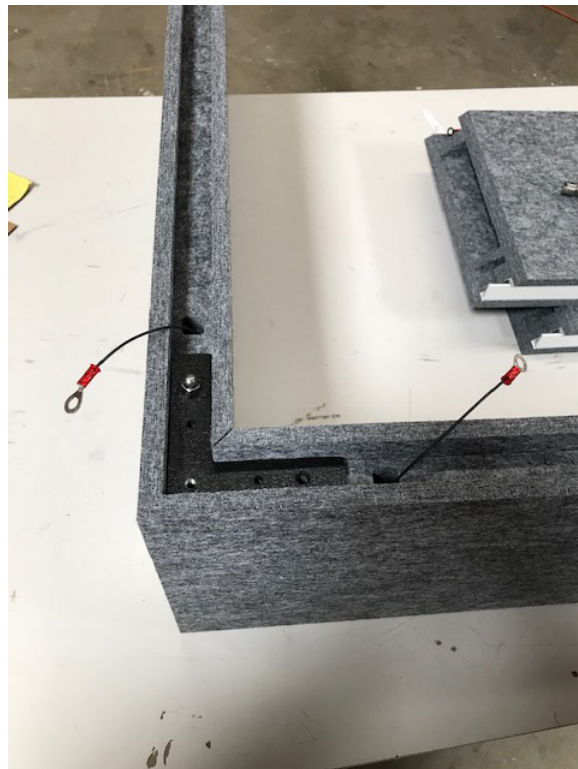




1) Place L brackets(2) into the Airebaffle™ using designated brackets(TOP, BTM) keeping markings facing up.



2) Insert 1/4" aluminum rod into outside hole in top bracket and screw into bottom L bracket.



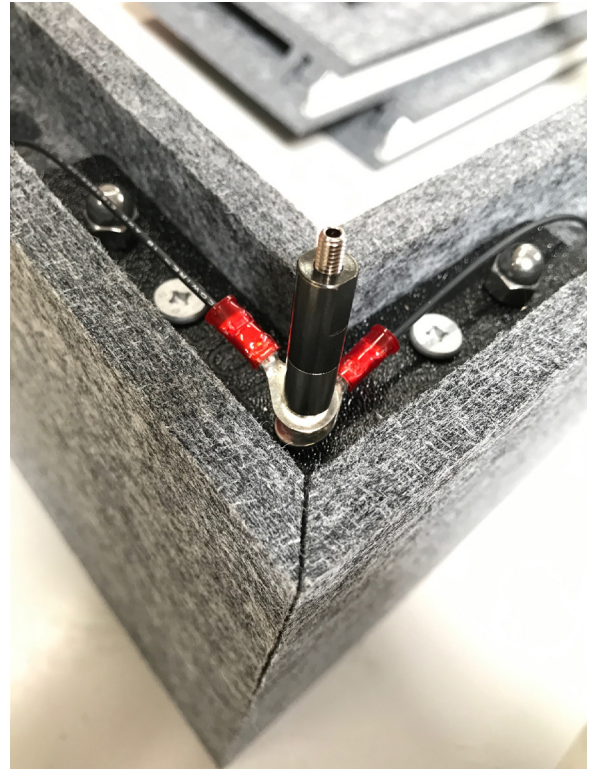
3) Align corners of Airebaffle™ so that same color wires meet. Secure 1/4" rod through 2nd Airebaffle™.



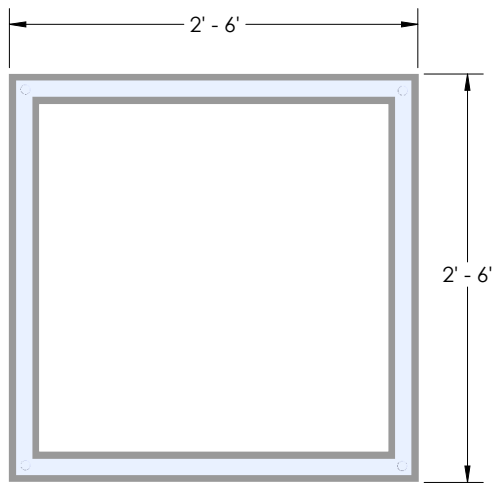
4) Insert safety screws(2) into center holes of L bracket.



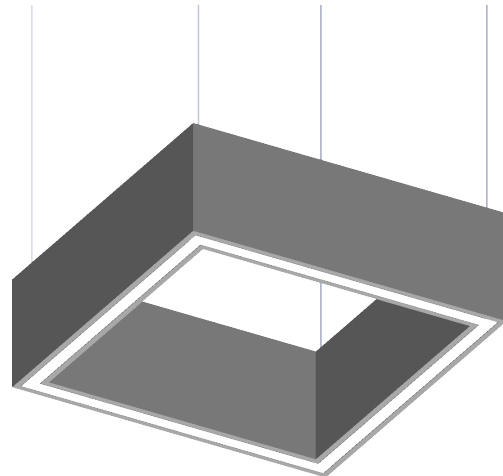
5) Identify the 2 electrical post in hanging kit bag. Black post to black wire. Silver post to red wire.



6) Thread corresponding electrical post through both ring terminals into the corner hole of L bracket.



7) Repeat Steps 1-6 for 3 remaining corners to complete construction of the Airebaffle™ Frame.



8) Refer to the Griplock Rincon Installation Guide to finish the installation of the Airebaffle™ Frame.