



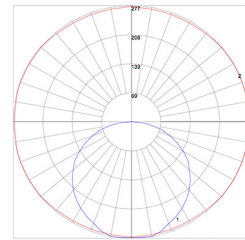
Description: The Airelight Linear2 ES 1.0 adds enhanced "pixel free" optics to its environmentally sustainable (No Plastics) design. Constructed of earth conscious materials with an ultra-slim/light weight profile, Airelight Linear2 luminaires provide ultimate flexibility for all environmentally friendly lighting projects. The Airelight Linear2 ES 1.0 is ideal for suspended, surface mounted, embedded, and under cabinet lighting applications (See "Mounting Options" on following page).

Capable of 653 lumens/foot(4000k/90CRI) and infinitely dimmable, the Airelight Linear2 ES 1.0 can be installed individually or linked continuously, embedded in a ceiling or wall, suspended, or surface mounted anywhere light is needed.

The output Airelight luminaires provide are completely lambertian, which assures even distribution of light over large and small areas. Airelight LED Ceramic Luminaires are 100% recyclable, made with only sustainable, non-toxic "Red List Free" components. Their compact minimalist design reduces "end-of-life" waste.

SPECIFICATIONS

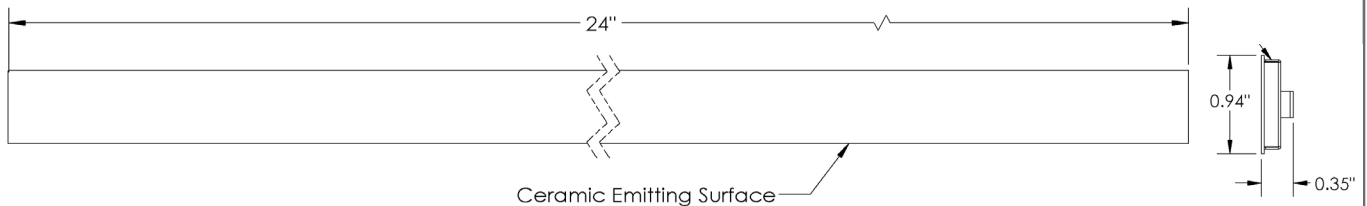
Color Temperature	4000K, 3500K, 3000K, 2700K
Beam Angle	Lambertian
Max Fixture Run Length	12' with 24VDC 100W Power Supply; Unlimited with Additional Power Supplies or POE Channels
Power Consumption	7.2W per foot
Lumens Per Foot(25V)	653 @ 4000K / 638 @ 3500K / 619 @ 3000K / 581 @ 2700K
Efficacy (lms/W)	91 @ 4000K / 89 @ 3500K / 85 @ 3000K / 80 @ 2700K
CRI	90+
Available Lengths	24"
Interconnect/Cabling	SMT Connector/ 2CONN Wire-18AWG (included w/specified fixture run lengths)
Operating Temperature	-10°F to 115°F / -23°C to 46°C
Operating Voltage	24VDC
Dimming	1-100% via Compatible Low Voltage PWM or 0-10V
Rating	Dry/Damp Rated
Warranty	5 Years
Weight	1.0oz/ft (98g/m)
Dimensions	W .94" x H 0.35" x L 24"



Photometric Data:
*Perfectly lambertian output

Certifications



ORDER CODES

Product Line	Width	Model	Length	CCT	CRI
AL2	- 1.0	- ES	- 24	- 40K	- 90+
Airelight™ Linear 2	1.0"	ES	24"	27K 30K 35K 40K	90+

POWER SUPPLY SELECTION

Airelight luminaires require an external DC power supply for operation. Identify total system wattage needed. Order the type and quantity of Class 2, 24VDC Power Supply(s) that meets your requirement.

Power Supply Calculation
 Linear Feet Required x Power Consumption (7.2W) =
 Total System Wattage

e.g. : 12ft x 7.2W = 86.4W (See Table A)

POWER SUPPLY COMPATIBILITY FOR AIRELIGHT™ SYSTEM

Total System Wattage	Compatible Power Supply
< 60W	SKU# 62569
< 100W	SKU# 97422
<200W	SKU# 84035

Table A

POWER SUPPLIES

SKU#	Description
84035	Amperor 2X 100W, 24V, 0-10V Dimmable, Class 2, LED Driver
97422	Amperor 100W, 24V, 0-10V Dimmable, Class 2, LED Driver
62569	Amperor 60W, 24V, 0-10V Dimmable, Class 2, LED Driver

CONTROLS (COMPATIBLE WITH MOST LIGHTING CONTROL SYSTEMS VIA 0-10V)

31935(*)	Illumra Wireless Dimmer #E9X-D02FL	
83374(*)	Illumra Single Rocker Switch #E9T-S1AWH	
25251(*)	Illumra Dual Rocker Switch #E9T-S2AWH	(*)Airelight® Luminaires are compatible w/most lighting control systems from Lutron, Hubbel, etc. via 0-10V. For installations that require a wireless interface, the above options are available.

MOUNTING OPTIONS

Designed to maintain the Airelight luminaires' slim profile, the optional snap channel profiles serve as stylish and minimalistic housing options. The attachment clips on the Airelight ES model simply snap into the specified channel, providing a secure attachment and easy installation.

46430 / 60838	Snap Channel (Airelight Linear ES 1.0) Black: 4 / 6ft
18265 / 26064	Snap Channel (Airelight Linear ES 1.0) Light Grey: 4 / 6ft
42049	Snap Channel (Airelight Linear ES 1.0) White/Custom: 6ft
72996	Mud-In Channel (Airelight Linear ES 1.0) Light Grey: 6ft
97892-Length(ft)	Flush Snap Channel (Airelight Linear ES 1.0) Light Grey: 2-8'
18175	End Cap (Snap Channel Airelight Linear ES 1.0) Qty: 2: Anodized Aluminum
67667	Mounting Plates(2): For embedding to non-magnetic surface w/o Snap Channel

AIRELIGHT® LINEAR2 ES 1.0 INSTALLATION INSTRUCTIONS



Airelight® Pre Install Wiring Notes

- Airelight® Linear luminaires should only be connected to 24V Class II drivers. Use of any other power source will cause damage and may void the warranty.
- Only use 18 AWG stranded wire to connect directly to each luminaire. If larger gauge is used for cable drop, reduce to 18 AWG to each luminaire. Never use solid core wire when connecting to a luminaire.
- Goldeneye® will not be held responsible if the luminaires are not installed according to applicable codes and safety standards.

Airelight® Wiring to Driver

1. Remove the driver cover.
2. Make wiring connections from 24V Class II driver to luminaire/s. (Reference cable length chart/wiring examples below)
3. Reattach driver cover.

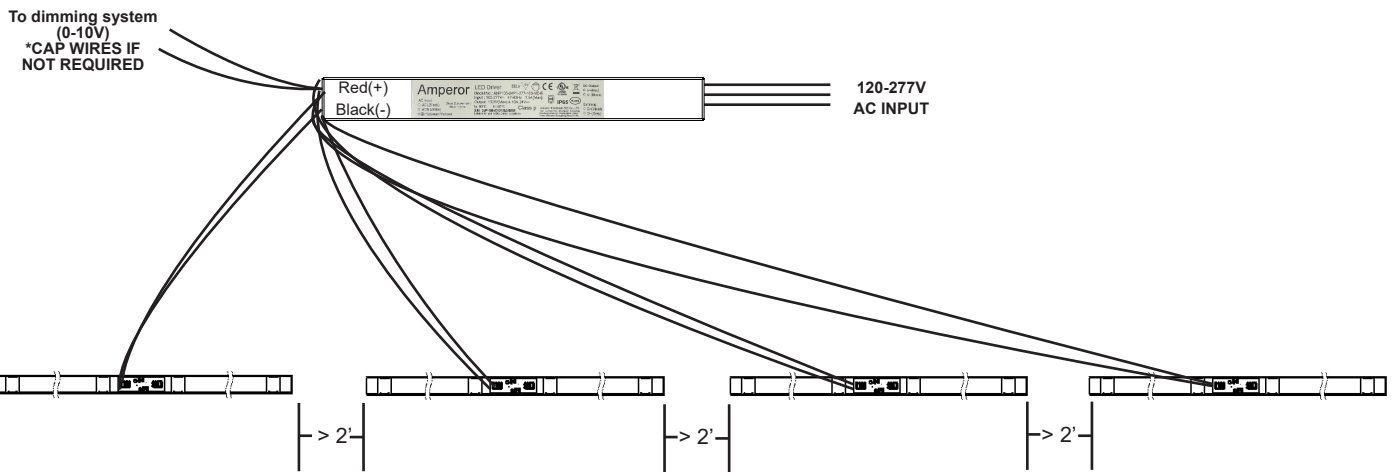
Recommended Cable Lengths to Minimize Voltage Drop

Watts (linear ft)	14.4 (2')	28.8 (4')	43.2 (6')	57.6 (8')	72 (10')	86.4 (12')
18 AWG	64 ft	32 ft	21 ft	16 ft	13 ft	11 ft
16 AWG	102 ft	51 ft	34 ft	25 ft	20 ft	17 ft
14 AWG	161 ft	81 ft	54 ft	40 ft	32 ft	27 ft
12 AWG	257 ft	129 ft	86 ft	64 ft	51 ft	43 ft

AL2-1.0-SC/ES-xx-xx-xx = 7.2 Watts/ft

Connect up to 96% of rated power supply
(Ex: 100W Power Supply: 96W max(12'))

Wiring Example #1: Airelight® Linear 1.0s spaced apart (greater than 2' end to end)



Wiring Example #2: Airelight® Linear 1.0s mounted end to end (less than 2' end to end)

