

Objective

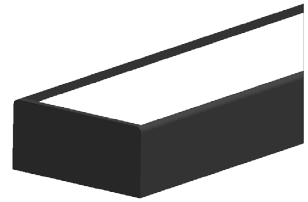
Install an Airelight™ Linear ES 0.5 / 1.0 into Snap Channel on desired surface.
Ideal for ceilings, walls, under cabinet, cove, and task lighting applications.

Luminaires

Airelight™ Linear ES 0.5 /1.0

Hardware

Snap Channel
6-32 panhead screws
(head ht. not to exceed 3mm)
2 conductor wire(20AWG / 90C)



READ AND UNDERSTAND THESE INSTRUCTIONS BEFORE INSTALLATION

These fixtures are intended for installation in accordance with the National Electrical Code and local regulations. Check with your local electrical inspector before installation. To prevent electrical shock, turn off at fusebox before proceeding. Remove all components from the shipping carton. The instructions are in a step by step sequence for correct and easy installation. Save the shipping carton and packing materials until job is complete.

****TO MINIMIZE VOLTAGE DROP REFER TO INSTALLATION GUIDELINES DOCUMENT (PAGE 4) ****

1. CALCULATE DRIVER REQUIREMENTS

To calculate driver requirements, multiply the watts/ft of the Airelight Linear fixture times the total number of linear feet you are going to connect to one driver. Airelight™ Linear ES 1.0 fixtures operates at 6.0W/ft.

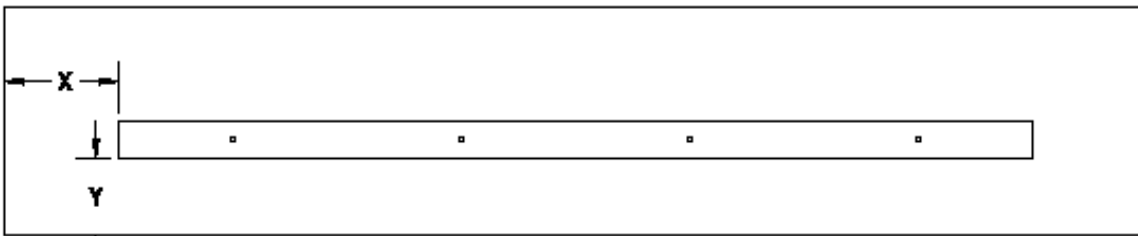
Example: A system containing 8' of Airelight™ Linear ES 1.0 fixtures (8' x 6.0 watts/ft= 48.0 watts) requires a 60W driver.

Note: See Driver Cut Sheet for specific driver information

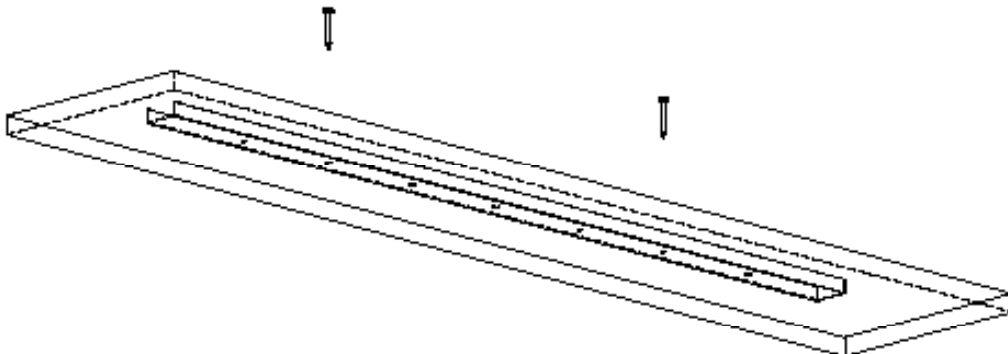
2. DETERMINE LOCATION OF DRIVER

The driver should be out of sight but still accessible for servicing, if necessary.

Note: The installer should use normal voltage drop calculations when determining distance from the driver. Typically, the distance should not exceed 30' from driver when using 20AWG wire.

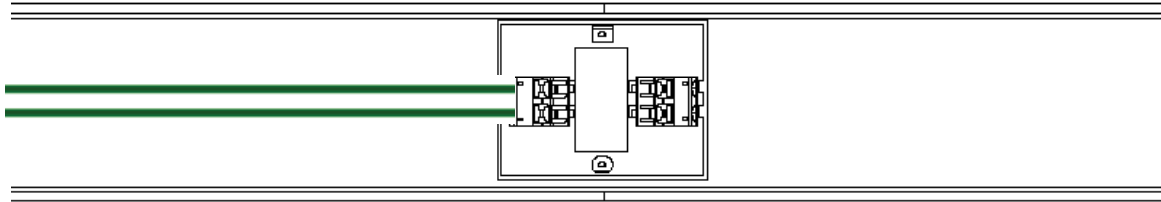


1) Measure & position U-Channel on desired surface.

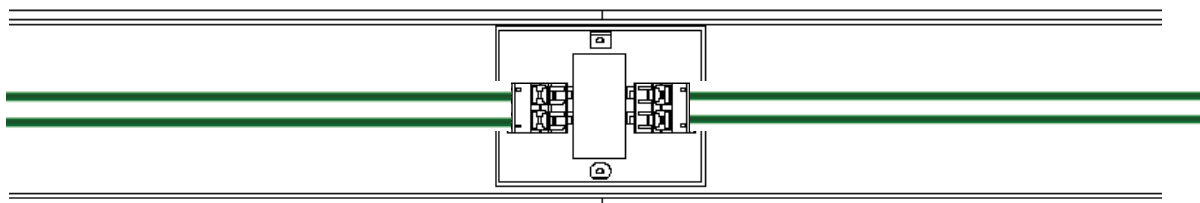


2) Using 6-32 panhead screws, attach Snap Channel onto desired surface. Screws should not interfere with connector on Airelight luminaire. Suggested spacing for screws using 24" Airelights: 3" from end of channel with spacing of 18" between screws.

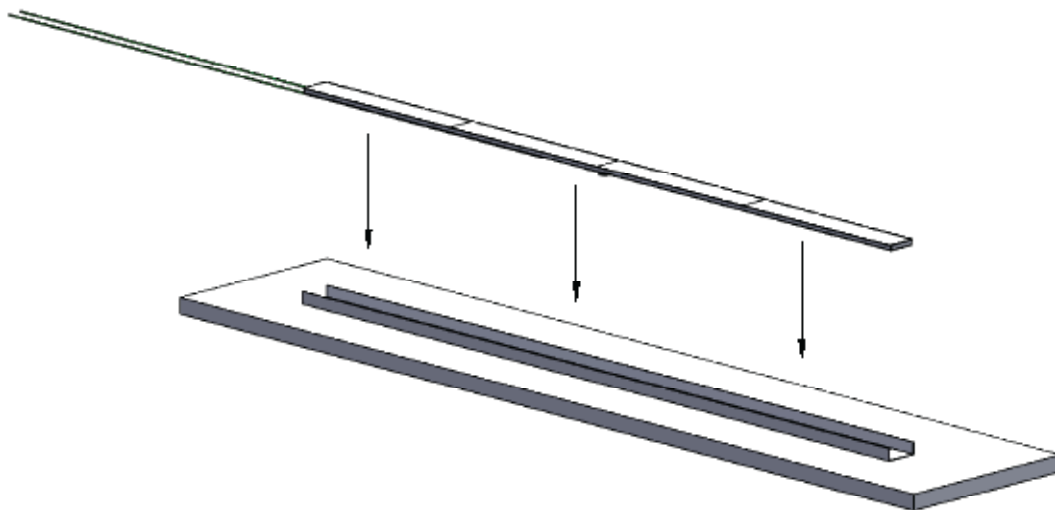
*Alternative Method: Double sided mounting tape(10lb, w:1.0") can be used in place of screws.



3) Install 2 conductor wire (20AWG / 90C) into the connector on the back of the Airelight™ Linear fixture, noting polarity designation markings adjacent to connector.

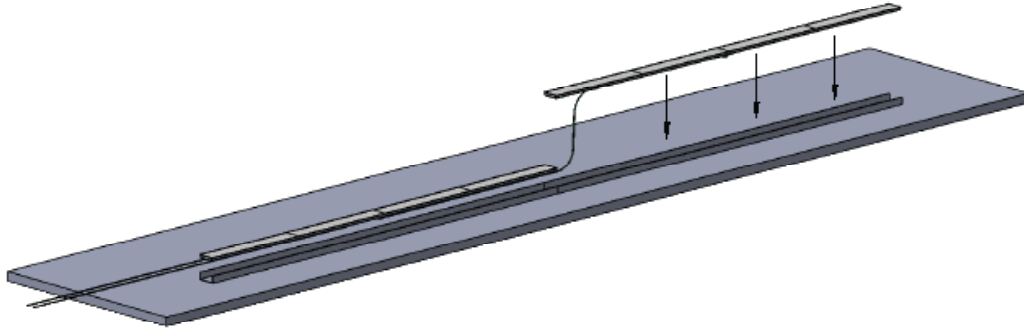


4) Repeat Steps 1-4 as needed to complete entire length of run. Daisy-chain each Airelight™ Linear fixture until the run is complete or the maximum wattage on the DC power supply is reached. (See ****note**** below)

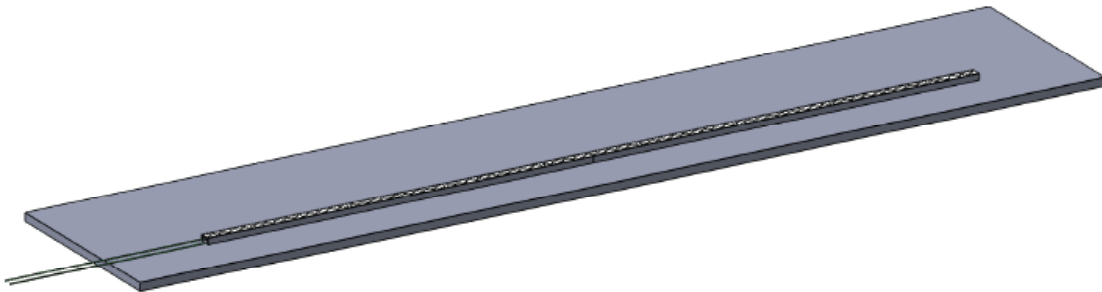


5) Align and attach the first Airelight™ Linear fixture into the channel guiding the snap clip into the snap channel. Check alignment of the first fixture with the edge of the channel.

****TO MINIMIZE VOLTAGE DROP REFER TO INSTALLATION GUIDELINES DOCUMENT (PAGE 4) ****



6) Place the daisy-chained Airelight™ Linear fixtures into channel, guiding the wiring behind the luminaire along the middle of the channel, allowing the clips to attach.



7) Inspect Airelight™ Linear fixtures for proper alignment in channel and secure loose wiring toward power supply.

Goldeneye™ Airelight™ Installation Guidelines

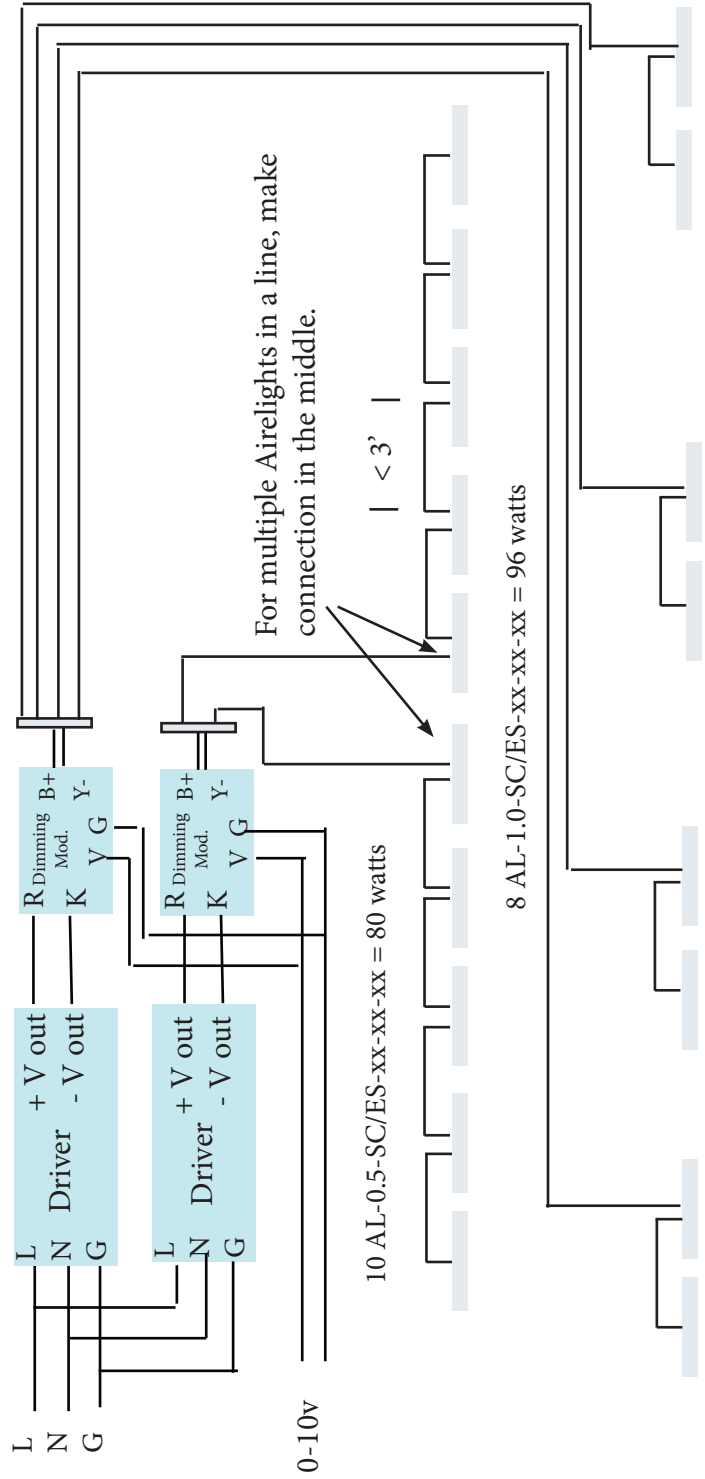
Recommended Cable Lengths To Minimize Voltage Drop*

*where connections between Airelights are 18 awg and <3'

AL-0.5-SC/ES-xx-xx-xx = 4 Watts/ft

Watts	8	12	16	20	24	28	32	36	40	44	48
18 AWG	92 ft	61 ft	46 ft	36 ft	30 ft	26 ft	23 ft	20 ft	18 ft	16 ft	15 ft
16 AWG	146 ft	97 ft	73 ft	58 ft	48 ft	41 ft	36 ft	32 ft	29 ft	26 ft	24 ft
14 AWG	233 ft	155 ft	116 ft	93 ft	77 ft	66 ft	58 ft	51 ft	46 ft	42 ft	38 ft
12 AWG	370 ft	247 ft	185 ft	148 ft	123 ft	105 ft	92 ft	82 ft	74 ft	67 ft	61 ft

AL-1.0-SC/ES-xx-xx-xx = 6 watts/ft



If distance between Airelights is >3' make multiple leads to driver/dimmer