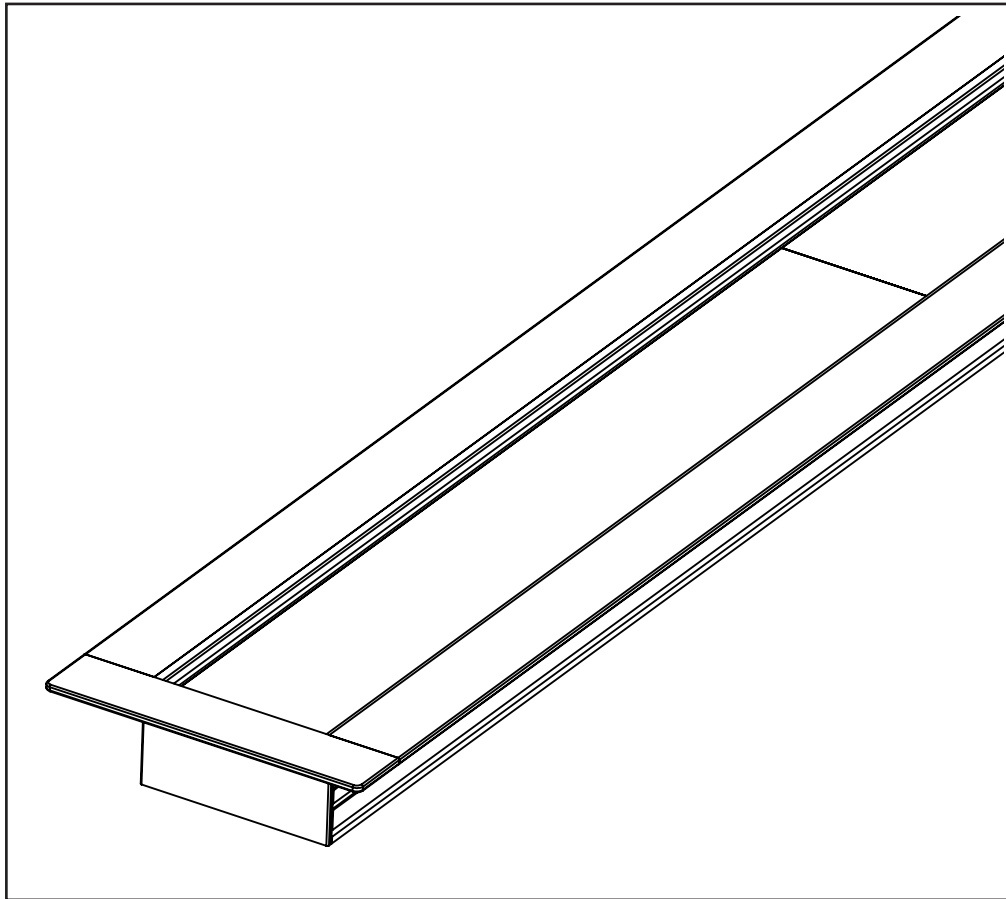


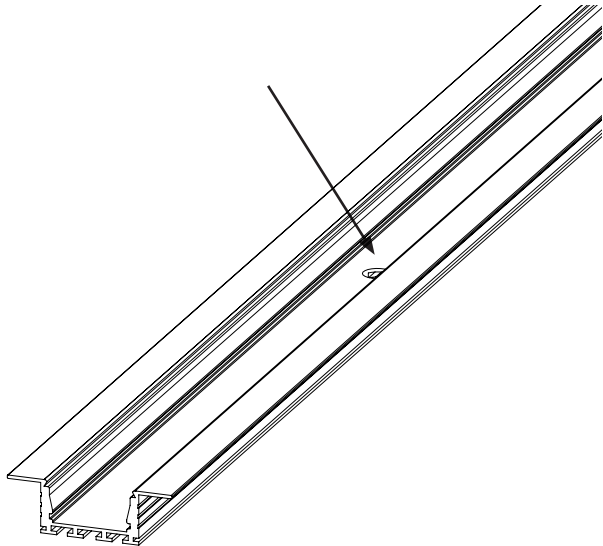
Instructions for Flush Mount Channel with Airelight Linear ES 1.0



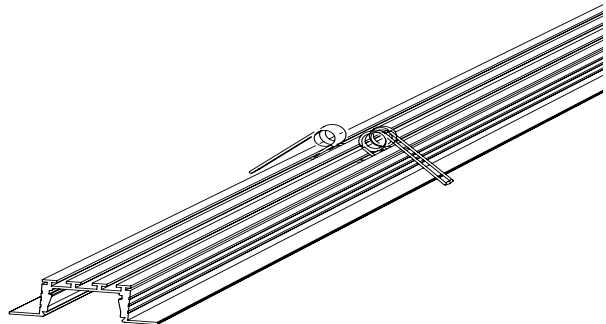
Installation: Flush Mount Channel(Linear ES 1.0)



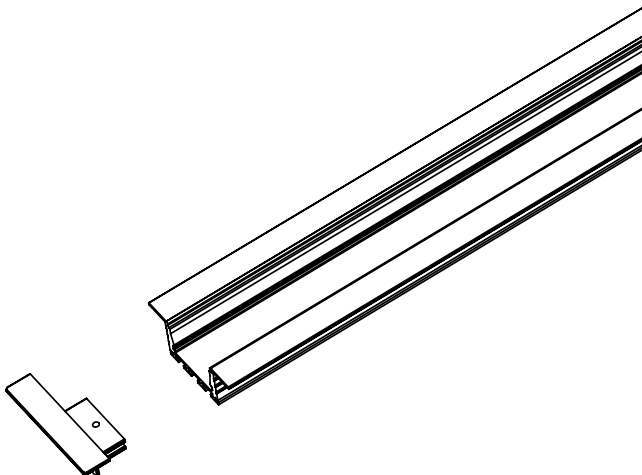
1. Drill & deburr hole(1/4") for input power cable in embedded channel. Hole should be centered 9" from the end of the Channel.
**Deburr hole is necessary to prevent shorting



2. Insert springs(2/side) into slot along the backside of the Flush Mount Channel. Slide springs approximately 18' from end. Repeat on the opposite side.

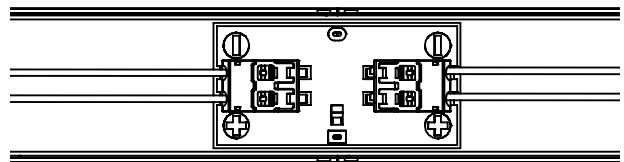


3. Insert End caps into end of the Flush Mount Channel and tighten set screw to secure. Repeat on opposite side.



4. Insert power cable and jumper harness (for additional luminaires) into Airelight connector, taking care to match +/- polarity.

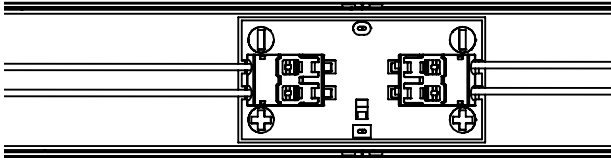
Warning: Only use 18awg/stranded wire when connecting to Airelight Luminaires.



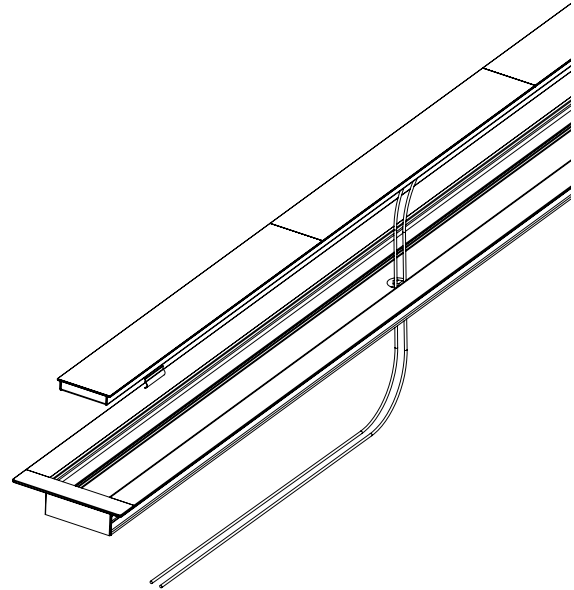
Install Note: Reference Airelight Install Guidelines for cable recommendations to avoid voltage drop from driver. When using larger than 18awg wire from driver, switch to 18awg when connecting to Airelight Linear.

5. Connect jumper harness to next Airelight in run. If another Airelight follows, insert additional jumper harness.

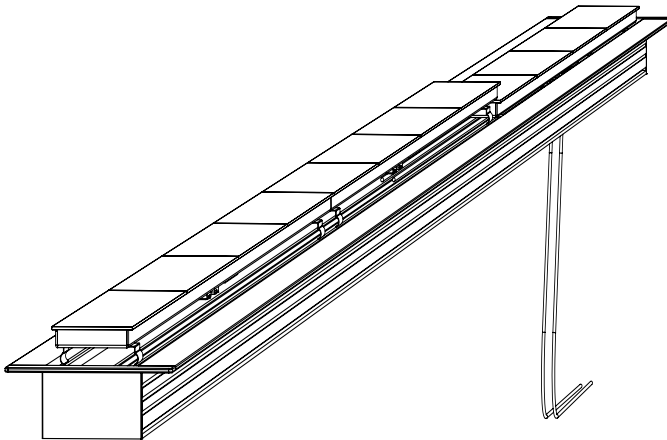
Warning: Only use 18awg/stranded wire when connecting to Airelight Luminaires.



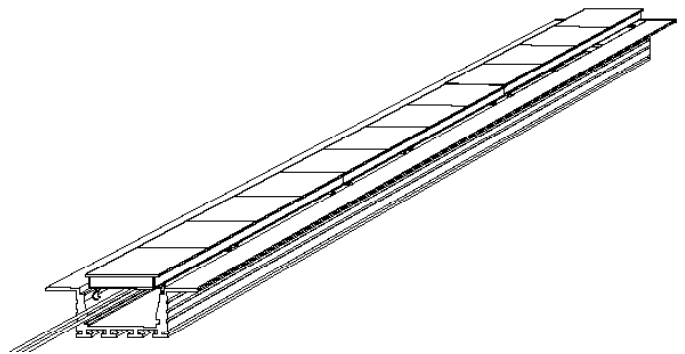
6. Feed power cable through hole and position Airelight into channel using snap clips to secure in place.



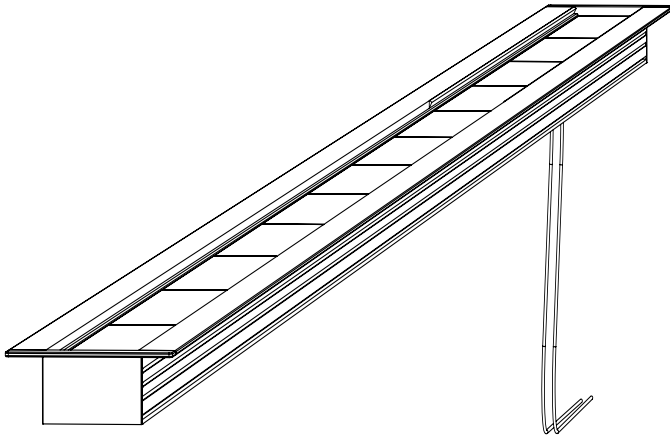
7. Position next Airelight into channel with jumper harness in gap between attachment clips.



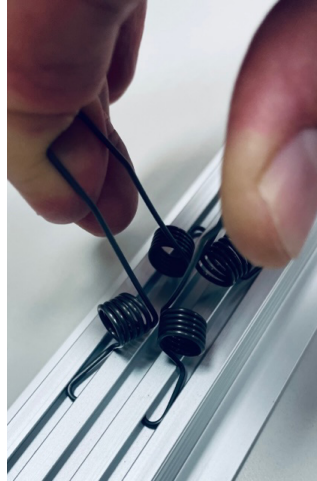
8. Gently pushing down above attachment clips, press Airelight into channel. Check fit to make sure Airelight is set evenly in the channel



9. Repeat steps 7-8 as required until installation is complete.



10. Compress adjacent springs on one end of the channel and insert into slot in the desired ceiling. Release springs to attach. Repeat on the other end.



11. Connect fixture cabling to remote DC power system.

