

# AIRELIGHT LINEAR2 SC 0.5 INSTALLATION INSTRUCTIONS



## Airelight Pre Install Wiring Notes

- Airelight Linear luminaires should only be connected to 24V Class II drivers. Use of any other power source will cause damage and may void the warranty.
- Goldeneye will not be held responsible if the luminaires are not installed according to applicable codes and safety standards.
- **Only use 18 AWG stranded wire to connect directly to each luminaire. If larger gauge is used for cable drop, reduce to 18 AWG to each luminaire. Never use solid core wire when connecting to a luminaire.**

## Airelight Wiring to Driver

1. Remove the driver cover.
2. Make wiring connections from 24V Class II driver to first luminaire. (Reference cable length chart below)
3. Reattach driver box cover.

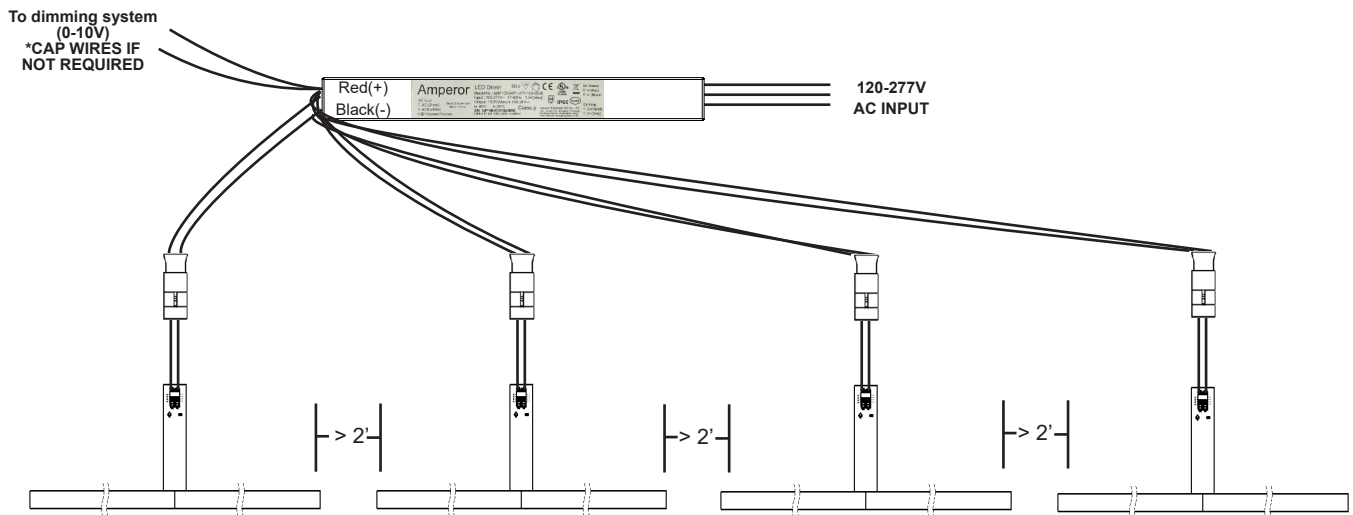
*\*Recommended Cable Lengths to Minimize Voltage Drop*

Watts (ft)	9.6 (2')	19.2 (4')	28.8 (6')	38.4 (8')	48 (10')	57.6 (12')	67.2 (14')	76.8 (16')	86.4 (18')	96 (20')
18 AWG	96 ft	48 ft	32 ft	24 ft	19 ft	16 ft	14 ft	12 ft	11 ft	10 ft
16 AWG	153 ft	76 ft	51 ft	38 ft	31 ft	25 ft	22 ft	19 ft	17 ft	15 ft
14 AWG	242 ft	121 ft	81 ft	61 ft	48 ft	40 ft	35 ft	30 ft	27 ft	24 ft
12 AWG	386 ft	193 ft	129 ft	96 ft	77 ft	64 ft	55 ft	48 ft	43 ft	39 ft

AL2-0.5-SC/ES-xx-xx-xx = 4.8 Watts/ft

*\*Connect up to 96% of rated power supply  
(Ex: 100W Power Supply: 96W max)*

## Wiring Example #1: Airelight Linear2 0.5s spaced apart (greater than 2' end to end)



## Wiring Example #2: Airelight Linear2 0.5s mounted end to end (less than 2' end to end)

