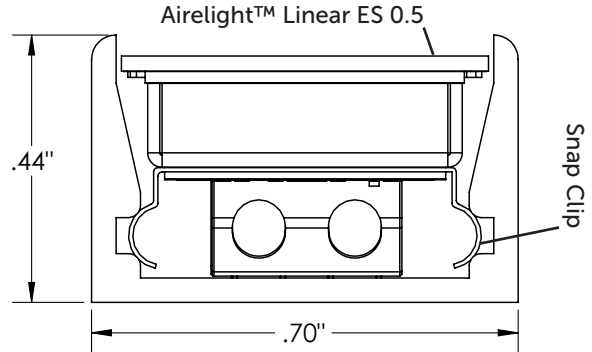
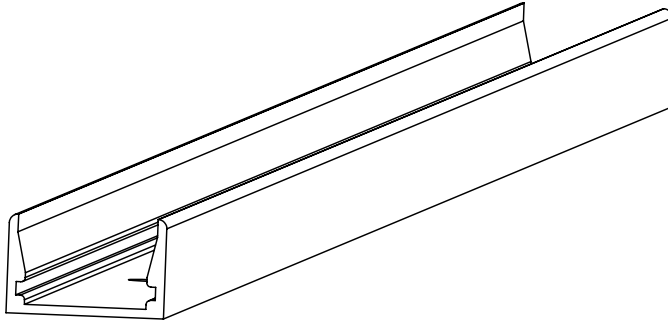


SNAP CHANNEL (AIRELIGHT™ LINEAR ES 0.5)



SNAP CHANNEL (AIRELIGHT™ LINEAR ES 0.5)



DESCRIPTION

The Airelight™ Linear ES 0.5 Snap Channel provides an optimal solution for surface-mounted lighting applications. Designed to maintain the Airelight™ luminaires' slim profile look, the Snap Channel serves as a housing and offers two finish options (black or light grey). Installation of Airelight Linear into Snap Channel is made easy by the pair of mating clips on each luminaire. Simply snap each luminaire into place. The Airelight™ Linear Snap Channel is ideal for surface mounted and under-cabinet lighting applications. Constructed with anodized Aluminum, the Snap Channel is light weight and can be installed with screws or mounting tape.

Applications: Office, Industrial, Retail, Display, Under Cabinet, Task, and Residential Environments

SPECIFICATIONS

Material	Anodized Aluminum
Color	Black, Light Grey (Custom colors available with surcharge)
Dimensions	0.7" x 0.44" (W x H)
Length	4, 6, 8' (See Lookup Table Below)
Mounting Holes	6-32 clearance holes on 12" centers

PN	4'	6'	8'
Black	50512	59885	15437
Light Grey	30231	74552	34948
Custom Color	-	-	19390

RELATED COMPONENTS

End Caps (qty. 2)

Black	63634
Light Grey	99636

877.298.0092



goldeneyelighting.com

V 1.3