

AIRELIGHT® LINEAR2 ES 1.0 INSTALLATION INSTRUCTIONS

*Airelight® Linear luminaires should only be connected to 24V Class II drivers. Use of any other power source will cause damage and may void the warranty.

*Only use 18 AWG stranded wire to connect directly to each luminaire. If larger gauge is used for cable drop, reduce to 18 AWG to each luminaire.

*Goldeneye® will not be held responsible if the luminaires are not installed according to applicable codes and safety standards.

1. Remove the junction box cover.
2. Make wiring connections from 24V power supply to first luminaire. (Reference cable length chart below)
3. Reattach junction box cover.

**Recommended Cable Lengths to Minimize Voltage Drop*

Watts (ft)	14.4 (2')	28.8 (4')	43.2 (6')	57.6 (8')	72 (10')	86.4 (12')
18 AWG	64 ft	32 ft	21 ft	16 ft	13 ft	11 ft
16 AWG	102 ft	51 ft	34 ft	25 ft	20 ft	17 ft
14 AWG	161 ft	81 ft	54 ft	40 ft	32 ft	27 ft
12 AWG	257 ft	129 ft	86 ft	64 ft	51 ft	43 ft

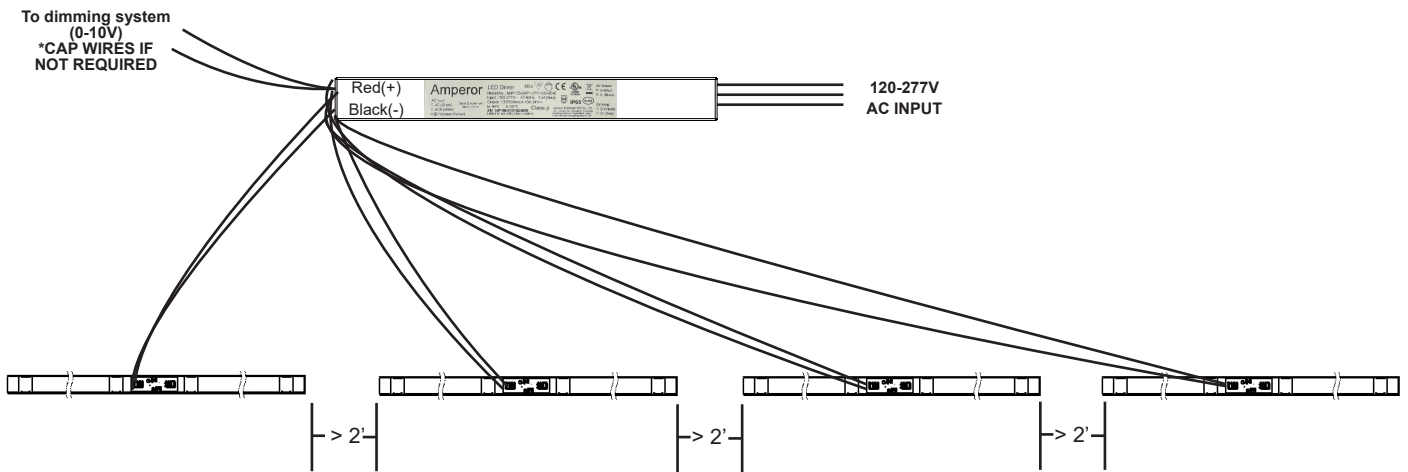
*Only 18 AWG stranded wire should be inserted into each luminaire.

*Never use solid core wire when connecting to a luminaire.

*Connect up to 96% of rated power supply (Ex: 100W Power Supply: 96W max(12'))

AL-1.0-SC/ES-xx-xx-xx = 7.2 Watts/ft

Wiring Example #1: Airelight® Linear2 1.0s spaced apart (greater than 2' end to end)



Wiring Example #2: Airelight® Linear2 1.0s mounted end to end (less than 2' end to end)

