

Goldeneye™ Airelight™ Square Installation Guidelines

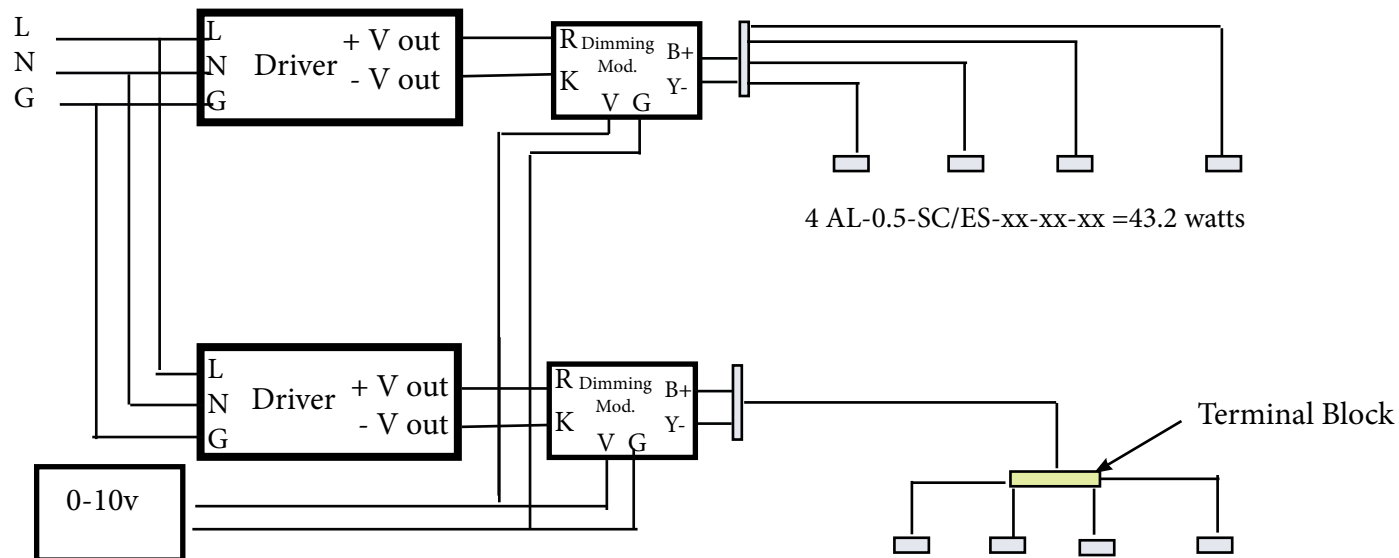
Recommended Cable Lengths To Minimize Voltage Drop*

Airelight™ fixtures should be connected only to 24 Volt Class 2 Power Supplies/Drivers

AS-4.0-xx-xx= 10.8 watts (each)

Watts	8	12	16	20	24	28	32	36	40	44	48
18 AWG	92 ft	61 ft	46 ft	36 ft	30 ft	26 ft	23 ft	20 ft	18 ft	16 ft	15 ft
16 AWG	146 ft	97 ft	73 ft	58 ft	48 ft	41 ft	36 ft	32 ft	29 ft	26 ft	24 ft
14 AWG	233 ft	155 ft	116 ft	93 ft	77 ft	66 ft	58 ft	51 ft	46 ft	42 ft	38 ft
12 AWG	370 ft	247 ft	185 ft	148 ft	123 ft	105 ft	92 ft	82 ft	74 ft	67 ft	61 ft

Typical Wiring for Airelight Squares with Dimming Modules



Leads from Terminal Block no more than 12' @ 18 AWG