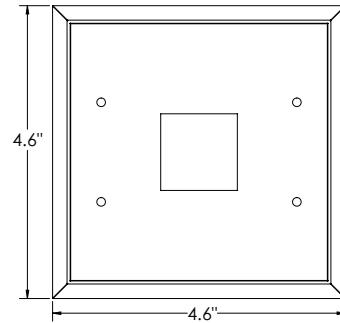
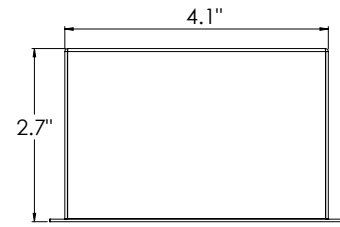
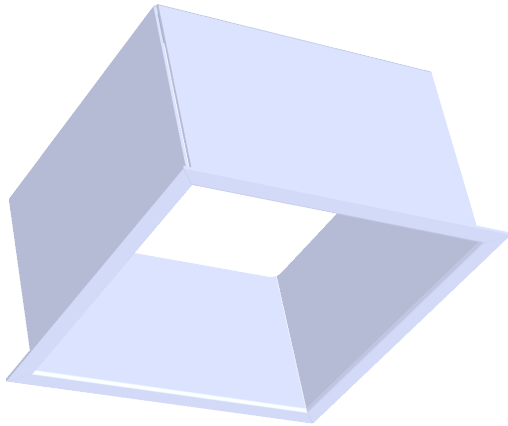


# TRIM KIT\_RECESSED (AIRELIGHT SQUARE2 4.0)



TRIM KIT\_RECESSED (AIRELIGHT SQUARE2 4.0)



## DESCRIPTION

The Airelight Square2 4.0 Recessed Trim Kit provides an optimal solution for embedded lighting applications. Designed for ease of installation the Recessed Trim Kit provides ultimate flexibility in the lighting design process. Using a simple spring clip system, the Trim Kit can be installed in dry wall, ceiling tile, and similar building materials. Once the trim kit is in place, the magnetic connection of the Airelight Square2 4.0 completes the installation effortlessly.

Applications: Office, Industrial, Retail, and Residential Environments.

## SPECIFICATIONS

P/N	36520 (White), 95565(Black)
Material	Galvanized Steel
Finish	Powder Coat (White, Black)
Dimensions	4.6" x 4.6" x 2.7" (W x L x H)